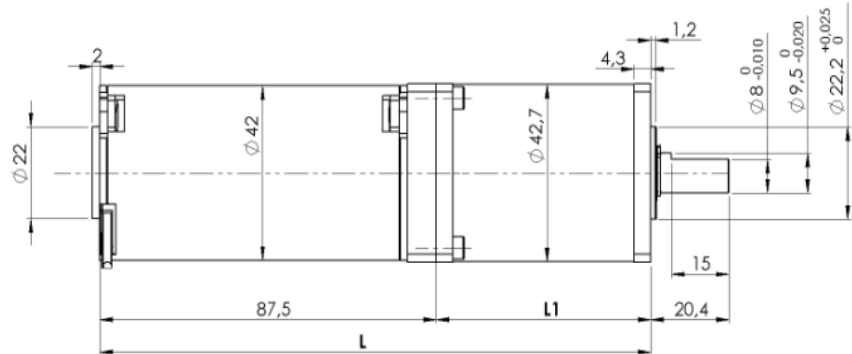
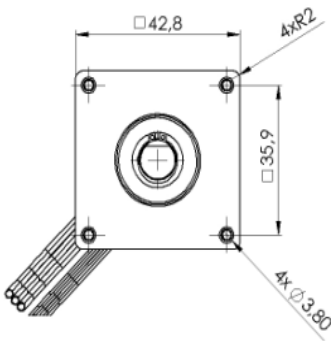


RATIO	ETAPAS/STAGES	L	L1
10	1	134	46,2
25	2	143,4	55,6
50	2	143,8	55,6
100	2	143,8	55,6
125	3	153	65
250	3	153	65
500	3	153	65



TECHNICAL CHARACTERISTICS

High endurance planetary gearbox for heavy duty continuous workload in any position, at room temperature from -20 to 65°C, with **torque load up to 15 Nm, steady load.**

- **Box.** Steel box. Frontal mounting by four Ø3,8 holes.
- **Gear set.** Hardened steel gears guaranteeing an excellent lifetime.
- **Output shaft.** Ø8 mm. Stainless steel shaft, 20 mm usable length, with a flat
- **Output shaft load:**


Axial direction, pull or push	300N.
Radial direction, at 5 mm from box	500N.

MOTOR COUPLING:

- **Direct C:** BG 42x30 type 24 V

OPTIONAL:

Your special requests are welcome.

			MOTORES DE C.C. SIN ESCOBILLAS DC BRUSHLESS MOTORS Dunker BG42x30		
			BG42x30 24V		
Reducción Ratio i = X:1	Nº Etapas Stages	Eficiencia Efficiency	No load speed Vo (r.p.m.)	Nominal Speed Vn (r.p.m.)	Nominal Torque (N.m)
10	1	0,85	411,00	358,00	1,45
25	2	0,72	164,40	143,20	3,09
50	2	0,72	82,20	71,60	6,18
125	3	0,61	32,88	28,64	13,13
250	3	0,61	16,44	14,32	Ex. Torque max. 15 N·m

NO LOAD SPEED / RATED TORQUE

Motor BG42x30= 4110 rpm / 0,172 Nm

ExExceeds maximal
admissible torque**GEARBOX TIPS:**

Noise: noise level depends on load symmetry, location (avoid acoustic resonance), and rotation speed; the lower the speed on the input shaft (motor), the lower the noise.