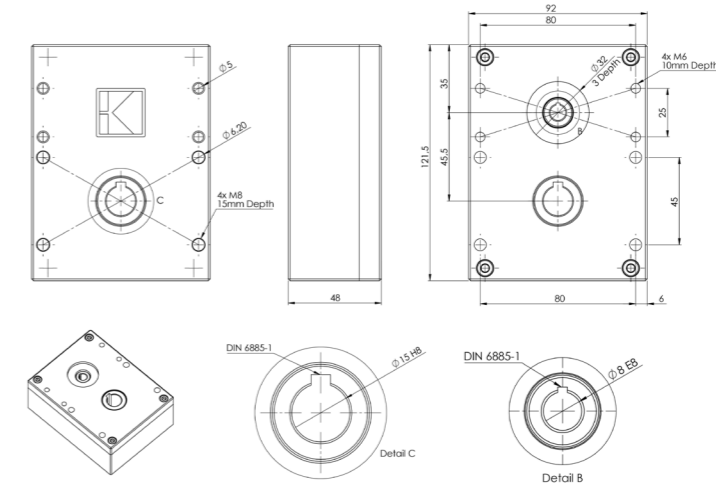
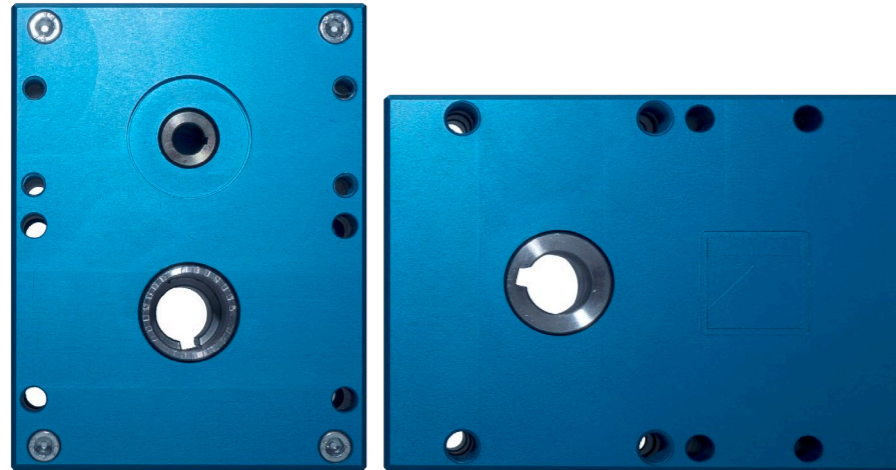


# KELVIN KS08



- High endurance gearbox
- For heavy duty continuous workload in any position
- Room temperature from -15°C to 100°C
- Input: steel hollow shaft  $\varnothing$  8 mm with DIN 6885 keyway
- Output: steel hollow shaft  $\varnothing$  15 mm with DIN 6885 keyway
- Output shaft may be input side or other side.
- Through shaft also configurable
- High continuous torque load up to 60 Nm, steady load
- Hobbed spur gears composed of steel pinions and gear wheels with case hardening treatment
- Lubrification : barium complex greases
- Adjusted with prime quality ball bearing
- 2 ratios: 3:1 and 4,65:1
- Output shaft load :
  - axial direction, pull or push : 1500 N  $\approx$  150 Kg
  - radial direction, at 10 mm from box : 1500 N  $\approx$  150 Kg



Technical Data	KS08 GR63x25	KS08 GR63x55	KS08+KT80 GR42x40	KS08+PLG42S GR42x40	KS08+KT80 GR53x30	KS08+KT80 GR63x25	KS08+KT80 CPB	KS08 BG62Sx30	KS08 BG65x50SI	KS08+PLG42S BG44x25SI	KS08+KT80 BG44x50SI	KS08+PLG42S BG44x50SI	KS08+KT80 BG42x30
Motor	GR63x25	GR63x55	KT 80	PLG 42S	KT 80	KT 80	CPB	BG62Sx30	BG65x50SI	BG44x25SI	BG44x50SI	BG44x50SI	BG42x30
Technology	DC	DC	DC	DC	DC	DC	DC	BLDC	BLDC	BLDC	BLDC	BLDC	BLDC
Nominal Power	50W	100W	20W	20W	40W	50W	60W	63W	84W	17W	37W	37W	65W
Voltage	24V	24V	12-24V	12-24V	12-24V	24V	24V	24V	24V	24V	24V	24V	24V
Input Gearbox	-	-	KT 80	PLG 42S	KT 80	KT 80	KT 80	-	-	PLG 42S	KT 80	PLG 42S	KT 80
Ratio : standard in 48h	-	-	90-125:1	156-256-400:1	90-125:1	90-125:1	90-125:1	-	-	156-256-400:1	90-125:1	156-256-400:1	90-125:1
Ratio KS08: standard in 48h	4,65:1	4,65:1	4,65:1	4,65:1	4,65:1	4,65:1	4,65:1	4,65:1	4,65:1	4,65:1	4,65:1	4,65:1	4,65:1
Ratio KS08: standard delivery	3:1	3:1	3:1	3:1	3:1	3:1	3:1	3:1	3:1	3:1	3:1	3:1	3:1
Ratio : nb combinations max	4,65:1	4,65:1	581,25:1	1860:1	581,25:1	581,25:1	581,25:1	4,65:1	4,65:1	1860:1	581,25:1	1860:1	581,25:1
Nominal Speed at max ratio	660 rpm	688 rpm	5,4 rpm	1,6 rpm	6,2 rpm	5,3 rpm	6,8 rpm	645 rpm	664 rpm	1,9 rpm	6 rpm	1,8 rpm	6,2 rpm
Nominal Torque at max ratio	0,6 Nm	1,2 Nm	21 Nm	58 Nm	33 Nm	33,5 Nm	33,5 Nm	0,85 Nm	1 Nm	58 Nm	34 Nm	58 Nm	33 Nm
Max Torque at max ratio	60 Nm	60 Nm	60 Nm	60 Nm	60 Nm	60 Nm	60 Nm	60 Nm	60 Nm	60 Nm	60 Nm	60 Nm	60 Nm
Integrated Electronics	-	-	-	-	-	-	-	-	yes	yes	yes	yes	-