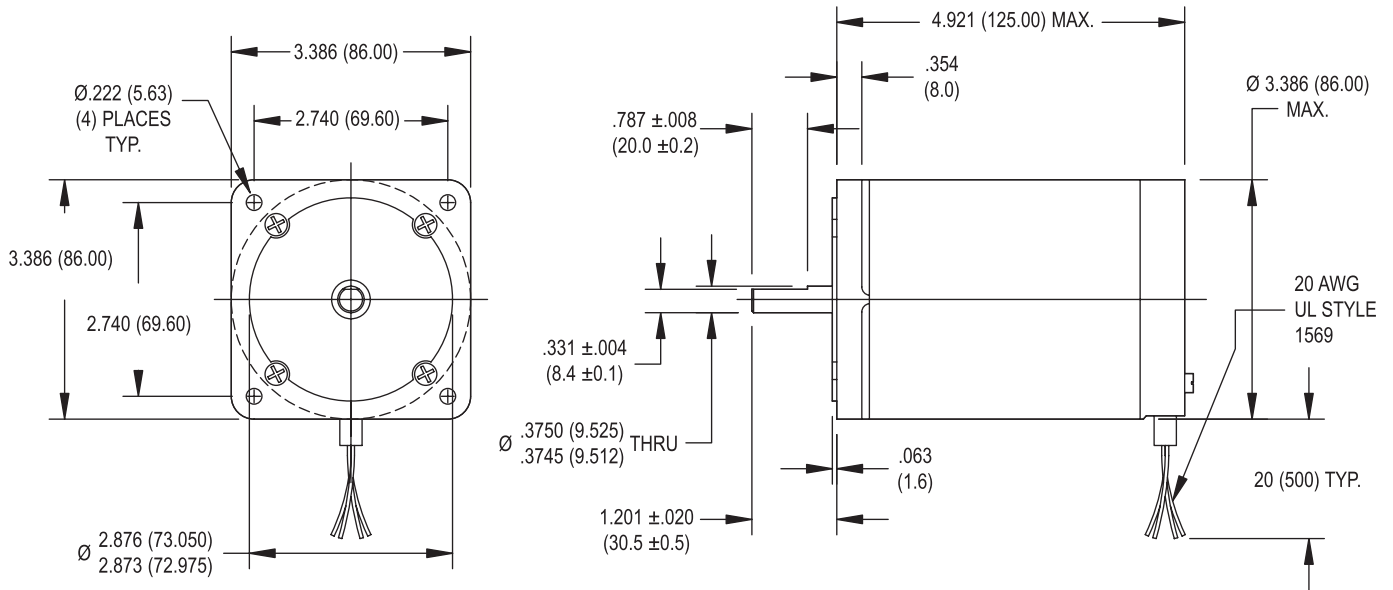
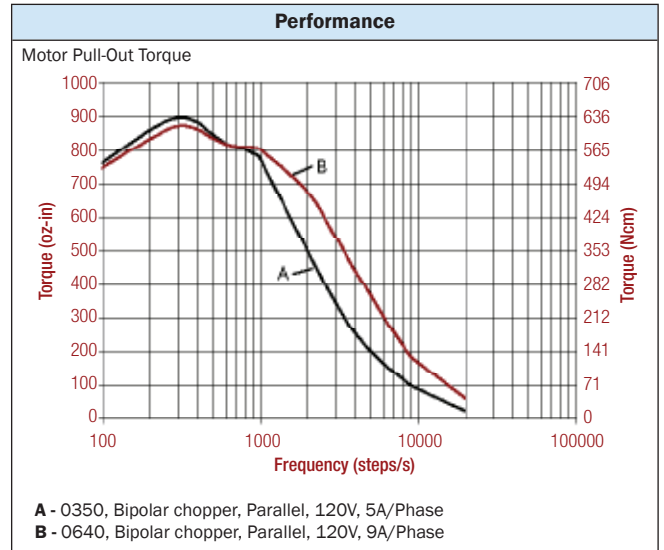


SIZE 34 STEPPER MOTOR DATA



Specification	Units	HN 200 3451	
		0350	0640
Rated Phase Current	A	3.50	6.40
Phase Resistance	Ω	1.5	0.50
Phase Inductance	mH	8.5	2.5
Holding Torque Unipolar	oz-in	878	878
	Ncm	620	620
Holding Torque Bipolar	oz-in	1076	1076
	Ncm	760	760
Detent Torque	oz-in	33	33
	Ncm	23	23
Rotor Inertia	oz-in-s ² × 10 ⁻⁴	255	255
	g-cm ²	1800	1800
Motor Weight (Mass)	lb	7.9	7.9
	kg	3.6	3.6
Maximum Voltage	V	140	140
Std. No. of Leads	—	8	8



- ### Standard Features
- Step angle: 1.8°
 - Step angle accuracy: 5%
 - Insulation class: B (130°C)
 - NEMA 34 mounting configuration
 - Neodymium magnets
 - Additional windings and customization options available

- ### Complementary Products
- Gearboxes
 - Encoders

